

Illustrated Report For Princess

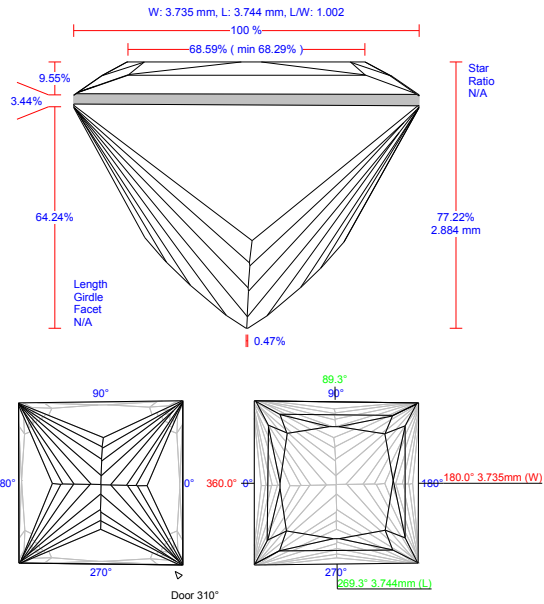
Polished Princess

04.09.2011

Model Simple
 Expert name N/A
 Real weight, ct
 Calculated weight, ct 0.32, 0.3261
 Spread -0.05 ct, -19.79 %
 Extra Facet Girdle / Nat No

Width	Length	Ratio (L/W)	Corner Ratio	Diameter Minimum	Diameter Maximum
3.735 mm	3.744 mm	1.002	1.001	3.735 mm	5.254 mm

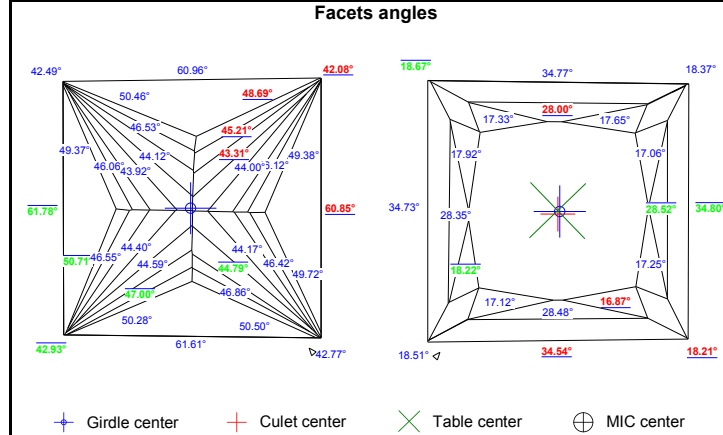
Total height	Crown height: Side	Pavilion height: Side	Table: Side	Girdle: Side	Culet
2.884 mm 77.22 %	0.357 mm	2.399 mm	2.565 mm	0.128 mm	0.018 mm



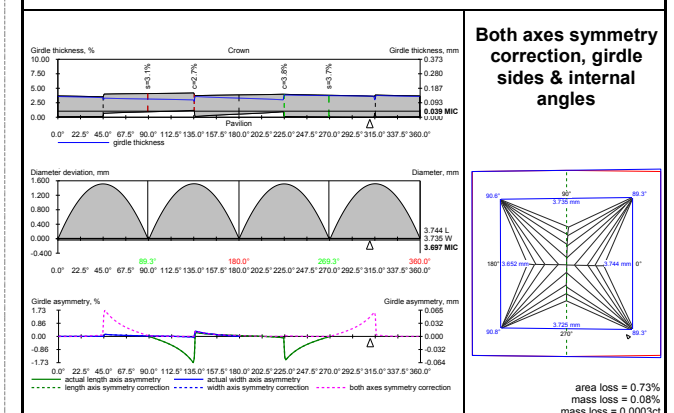
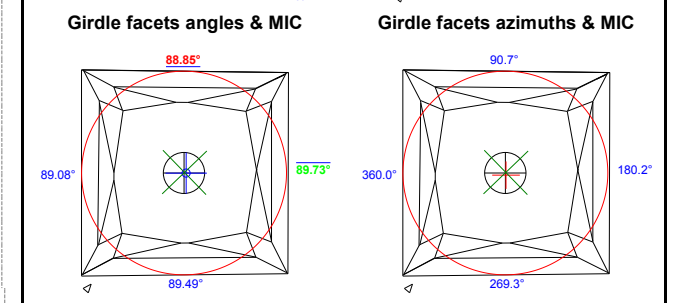
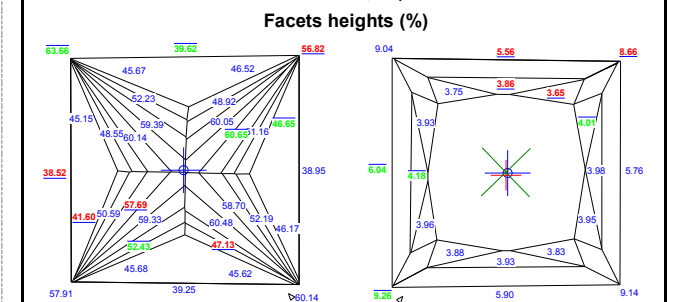
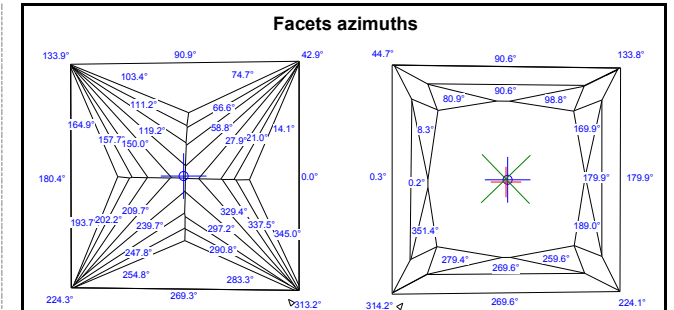
Appraiser title N/A
 Overall cut quality N/A
 Symmetry appraiser title Symmetry
 Overall symmetry quality N/A
 Model building info The model has negligible errors

Color	
Clarity	
Polish	
Fluorescence	

Parameters	Avg	Min	Max	Dev
Crown height: Side, %	9.55	9.31	9.72	0.41
Crown height: Corner, %	9.58	9.44	9.88	0.44
Pavilion height: Side, %	64.24	63.89	64.77	0.88
Pavilion height: Corner, %	N/A	N/A	N/A	N/A
Table: Side, %	68.59	68.29	68.88	0.58
Table: Corner w.r.t. Corner, %	59.81	59.73	59.90	0.17
Table: Corner w.r.t. Width, %	84.11	83.96	84.26	0.30
Diameter: Corner, %	140.62	140.57	140.67	0.10
Girdle thickness: Side, %	3.44	3.14	3.73	0.59
Girdle thickness: Corner, %	3.31	2.74	3.84	1.09
Culet, %	0.47	0.26	0.54	0.28
Crown Main 1 height, %	5.81	5.56	6.04	0.48
Crown Main 2 height, %	3.99	3.86	4.18	0.33
Crown Star 1 height, %	N/A	N/A	N/A	N/A
Crown Star 2 height, %	3.87	3.65	4.01	0.36
Crown Corner height, %	9.03	8.66	9.26	0.60
Pavilion Main height, %	39.09	38.52	39.62	1.10
Chevron 1 height, %	45.38	41.60	46.65	5.05
Chevron 2 height, %	50.40	47.13	52.43	5.30
Chevron 3 height, %	59.55	57.69	60.65	2.96
Chevron 4 height, %	N/A	N/A	N/A	N/A
Chevron 5 height, %	N/A	N/A	N/A	N/A
Pavilion Corner height	59.63	56.82	63.66	6.84
Crown Main 1 angle, °	34.71	34.54	34.80	0.26
Crown Main 2 angle, °	28.34	28.00	28.52	0.52
Crown Star 1 angle, °	N/A	N/A	N/A	N/A
Crown Star 2 angle, °	17.43	16.87	18.22	1.35
Crown Corner angle, °	18.44	18.21	18.67	0.46
Pavilion Main angle, °	61.30	60.85	61.78	0.93
Chevron 1 angle, °	49.89	48.69	50.71	2.02
Chevron 2 angle, °	46.34	45.21	47.00	1.79
Chevron 3 angle, °	44.16	43.31	44.79	1.48
Chevron 4 angle, °	N/A	N/A	N/A	N/A
Chevron 5 angle, °	N/A	N/A	N/A	N/A
Pavilion Corner angle, °	42.57	42.08	42.93	0.85
Girdle facet angle, °	89.29	88.85	89.73	0.88



Girdle-Culet offset by table axis	1.21 ± 0.34, %	0.045 ± 0.013, mm
Girdle-Table offset by table axis	0.87 ± 0.29, %	0.033 ± 0.011, mm
Table-Culet offset by table axis	1.32 ± 0.35, %	0.049 ± 0.013, mm
Girdle to table-culet line offset	0.80 %, 0.030 mm	



Width-wise culet shift ratio (by width)	1.873 mm, 50.15 %	1.862 mm, 49.85 %
Length-wise culet shift ratio (by width)	1.832 mm, 49.06 %	1.912 mm, 51.19 %
Length-wise culet shift ratio (by length)	1.832 mm, 48.94 %	1.912 mm, 51.06 %